

- ✓ Stores 180 lbs. (81 Kgs.) of ICE
- ✓ Constructed from sturdy, corrosion-resistant 300 series stainless steel
- ✓ Only 30 inches (762 mm) wide
- ✓ Available with water glass filler and coin/token options



CD 40030

## ***ICE-O-Matic® is the Best ICE Making Solution for: Hard Water, Food Safety and Tight Spaces***

### **Problem**

#### **Difficult Dispensing**

Ice is sometimes slow and difficult to dispense

#### **Hard To Clean**

Ice machine must be lifted off of other dispensers for cleaning

#### **Tight-Fitting Spaces**

Vending area utilization

#### **Ice Melts Too Fast**

Inadequate storage insulation causes ice to melt too quickly

### **Solution**

#### **Simple Operation**

- Turbo Dispense - dispenses a 1/4 lb. of ICE per second
- Push to Dispense - user friendly dispensing
- Smudge Proof Finish - prevents fingerprints and smudges

#### **Power Clean**

Allows access to the bin for easy cleaning without moving the ICE machine. Interlock safety switch turns off machine agitation when top-front access panel is removed.

#### **Maximum ICE**

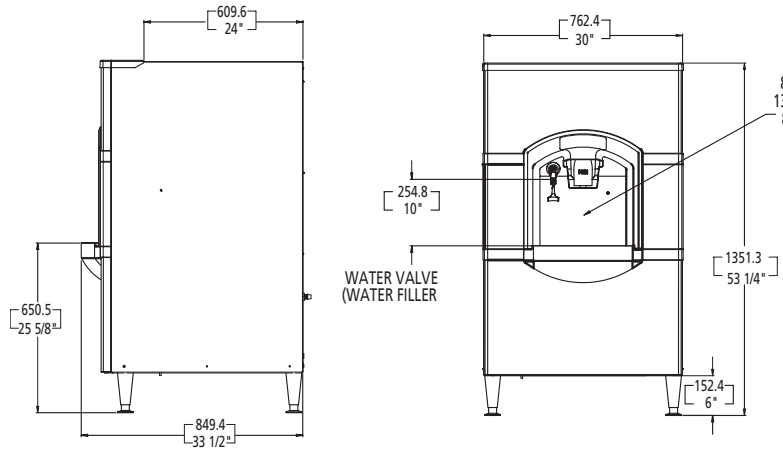
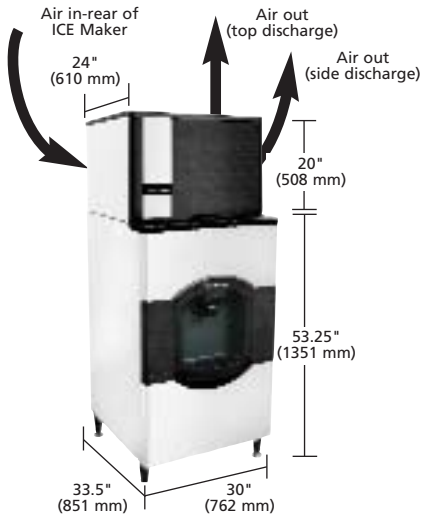
Maximum ICE storage in a minimum amount of space with an ultra-low profile

#### **Maximum Preservation**

Hotel Dispenser is insulated with an average of 4 inches of foam for maximum ICE preservation

# CD 40030 Series Hotel Dispenser

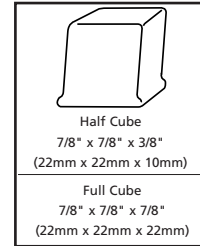
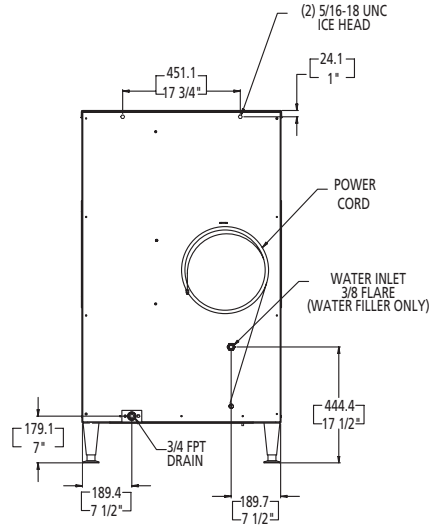
## Dimensions and Air Flow



ICE FILL STATION  
8 3/4 [221.5] HEIGHT  
13 1/2 [342.9] WIDTH  
8 1/2 [215.9] DEPTH

## OPERATING LIMITS

Ambient Temp. Range	
Air & Water	50° - 110°F (10° - 43°C)
Water Temp. Range	40° - 100°F (4.5° - 38°C)
Water Pressure Ice Maker	Min. 20 psi (1.4 bar)
Water in	Max. 60 psi (6.9 bar)
Condenser Inlet Water	Min. 20 psi (1.4 bar)
(Water cooled only)	Max. 60 psi (6.9 bar)



## ORDERING AND SPECIFICATION INFORMATION

Model No.	Dispenser Operated by:	Bin Storage Applied Capacity*	Voltage Characteristics	No. of Wires	Min. Circuit Ampacity	Maximum Fuse Size	Shipping Weight lbs. (Kgs.)
CD 40030	Push	180 (81)	115/60/1	2	2.1	15	220 (99)
CD 40130	Push / Water	180 (81)	115/60/1	2	2.1	15	224 (101)
CD 40230	Coin/Token	180 (81)	115/60/1	2	2.1	15	220 (99)
CD 40530	Push	180 (81)	230/50/1	2	2.1	15	220 (99)

Note #1: Model CD40030 and CD40530 dispensers accept all 30" ICE Series™ Cube ICE Makers

Note #2: Water dispensers and coin / token mechanisms cannot be field installed on the CD 400 Series Dispensers

Note #3: CD400 Series Dispensers cannot have a water dispenser and coin / token mechanism on the same machine

Note #4: CD40030 and CD40530 Series units do not require an Adaptor and Bin Level Kit

Options:

TKNS: 500 tokens for use with CD40230, 984" diameter.

## ICE PRODUCTION FOR OPTIONAL CUBE ICE MAKERS — POUNDS (KILOGRAMS) PER 24 HOURS

Model	ICE 0250	ICE 0305	ICE 0400	ICE 0405	ICE 0500
Air-Cooled lbs. (kgs.)	320 (145)	157 (346)	506 (230)	235 (370)	625 (284)
Water-Cooled lbs. (kgs.)	351 (160)	154 (338)	528 (240)	257 (566)	567 (258)
Remote-Cooled lbs. (kgs.)	n/a	n/a	n/a	n/a	591 (269)
Voltage Char.	115/60/1	230/50/1	115/60/1	230/50/1	115/60/1

1. Tested at 70° Air/50° Water.

2. All specifications and performance data are subject to normal manufacturing variances.

ICE-O-Matic's® machines are not designed for outdoor installations. ICE-O-Matic® remote condensers are designed for outdoor installations.

Machine requires voltage indicated on rating name plate. Failures caused by improper voltage are not considered factory defects. Extended period of operation at temperature exceeding limitations constitutes misuse under the terms of ICE-O-Matic® Manufacturer's Limited Warranty, resulting in a loss of warranty coverage.



**ICE o-Matic®**

We reserve the right to make changes in design and construction at any time without obligation.  
2004 © ICE-O-Matic Rev Code: 4006A - 011/03-SS

ICE-O-Matic 11100 E. 45th Avenue, Denver, CO 80239  
Tel. 303 371-3737 Fax. 303 371-6296 www.iceomatic.com